

SPECIFICATION SHEET

tactic 572.1

PRODUCT/ORDER CODE

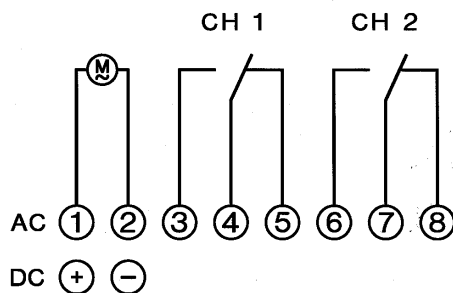
Tactic 572.1 (DIGI4202) two channel 16 Amps

This product is suitable for surface, panel and (with the use of an optional adaptor), din-rail mounting.

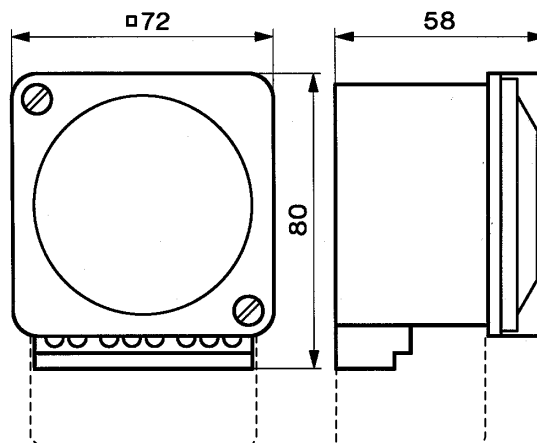
The micro-processor memory has 42 programme spaces. All programme spaces can be set for any time / day combination, and either ON or OFF functions. One programme space can control ON and OFF instructions for either channel. If all spaces are used for seven day switching operations, for both channels, it is possible to set a maximum of 588 switching operations.

Technical specification:

Control panel cutout	68 x 68 mm
Weight	200g
AC switching capacity:	
- resistive load	16A 250v AC
- inductive load cos ϕ 0.6	2.5A 250v AC
- incandescent lamp load	500W
Minimum switching current	100mA (20v) AC/DC
Contact type	2 x volt-free changeover
Ambient temperature	-10°C to +55°C
Accuracy	typically ± 2.5 sec. / day @ 20°C
Battery back – up	150 hours
Battery charging time	140 hours
Minimum switching time	one minute
Automatic Summer / Winter changeover	
Optional working voltages:	110 VAC, 24 AC/DC, 12 AC/DC



Tactic 572.1 wiring



Tactic 572.1 dimensions – dimension over terminal cover: 100mm