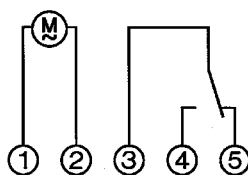
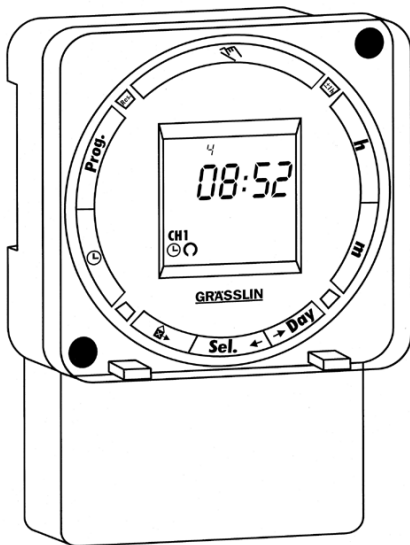


SPECIFICATION SHEET



Tactic 571.1 wiring

tactic 571.1

PRODUCT/ORDER CODE

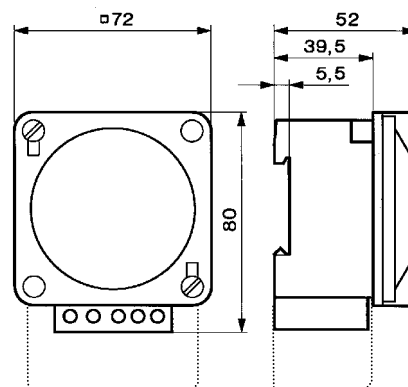
Tactic 571.1 (DIGI42AE1) single channel 16 Amps

This product is suitable for surface, panel and din-rail mounting.

The micro-processor memory has 42 programme spaces. All programme spaces can be set for any time / day combination, and either ON or OFF functions. If all spaces are used for seven day switching operations, it is possible to set a maximum of 294 switching operations.

Technical specification:

| | |
|---------------------------------|---------------------------------------|
| Control panel cutout | 68 x 68 mm |
| Weight | 182g |
| AC switching capacity: | |
| - resistive load | 16A 250v AC |
| - inductive load cos ϕ 0.6 | 2.5A 250v AC |
| - incandescent lamp load | 1000W |
| - fluorescent or SON lamp load | 60W |
| Minimum switching current | 100mA (20v) AC/DC |
| Contact type | volt-free changeover |
| Ambient temperature | -10°C to +55°C |
| Accuracy | typically ± 2.5 sec. / day @ 20°C |
| Battery back – up | 150 hours |
| Battery charging time | 40 hours |
| Minimum switching time | one minute |



Tactic 571.1 dimensions – dimension over terminal cover: 106mm
Panel mounting cutout: 66mm □